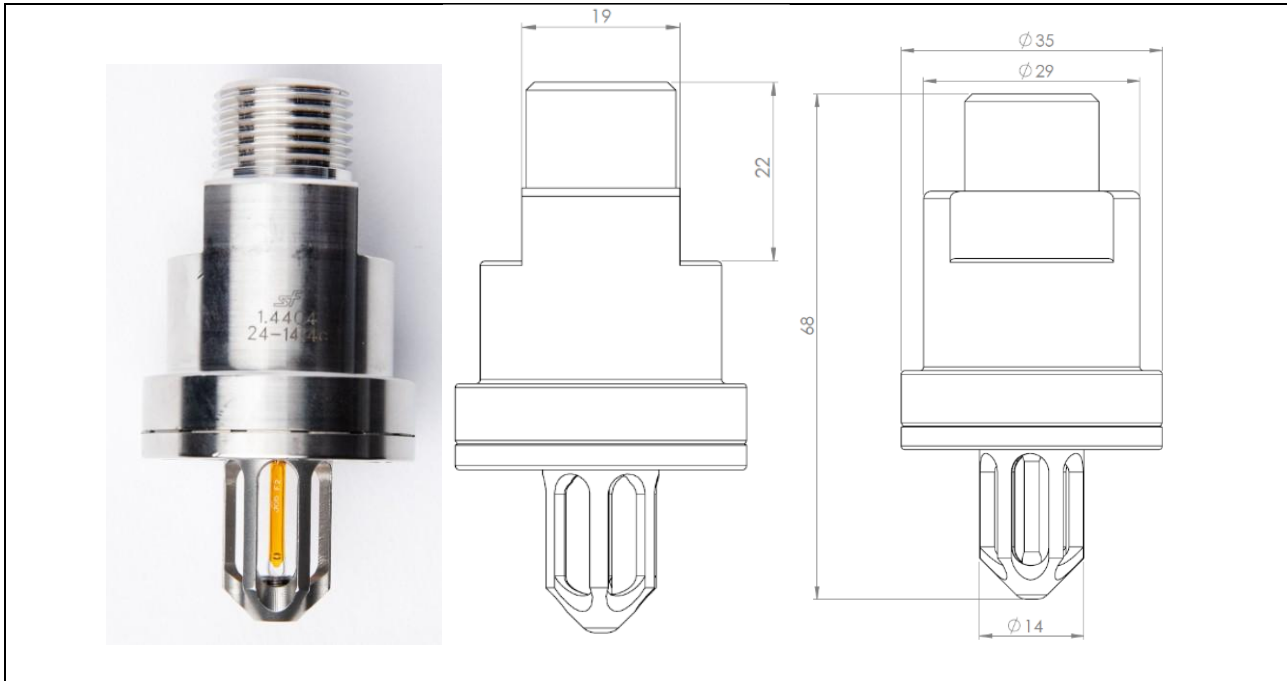


Aquapix Pendant Residential 2.5 Automatic High-Pressure Water Mist Nozzle for Applications Table 1 EN 14972-1 test part 17:

Aquapix high-pressure water mist nozzles are suitable for use in automatic high-pressure water mist fire suppression systems in residential buildings, care facilities, hospitals, hostels, bed and breakfast houses and other low fire load environments.



FEATURES	DESCRIPTION
Aquapix Pend 4.40	Downward Mounted High-Pressure Water Mist Nozzle
Manufacturing material	1.4404 (AISI 316L)
Activation Mechanism	Thermally responsive glass bulb (F2x16)
Operating Temperature	57°C (orange), 68°C (red), 93°C (green) 141°C (blue)
Threaded connection	DIN 2353 / ISO 8434-1 L12
Minimum operating pressure	60 bar
Maximum operating pressure	140bar
Filter	120 µm
Flow at minimum operating pressure	19,4 l/min
K-factor	2,5
Tested room height	2,5 m open and closed 3,5 closed
Tested nozzle spacing	4,0mx4m
Minimum nozzle spacing	2,0 m
Tested coverage area	16 m ²
Design guidelines	EN14972-1:2020 Aquapix DIOM
Fire test approvals	EN 14972-17 Baltic Fire Laboratory 12/2025